

Eaton | 伊顿 M22-IVS PDF



Powering Business Worldwide

深圳创唯电子有限公司

<http://eaton.szcwdz.com>

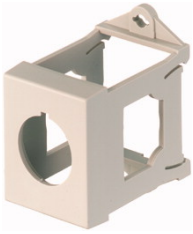
深圳市创唯电子有限公司

电话：400-900-3095 0755-21000796

手机：13006692189

企业QQ：800152669

公司官网：<http://www.szcwdz.com>



IVS mounting rail adapter



Powering Business Worldwide™

Part no. M22-IVS
Article no. 216400
Catalog No. M22-IVSQ

Delivery programme

Product range
 Basic function
 Accessories
 Basic function accessories
 Single unit/Complete unit
 For use with
 Connection to SmartWire-DT

RMQ-Titan (drilling dimensions 22.5 mm)
 Accessories
 General accessories
 IVS top-hat rail adapters
 Single unit
 top-hat rail according to IEC/EN 60715 for front fixing
 no

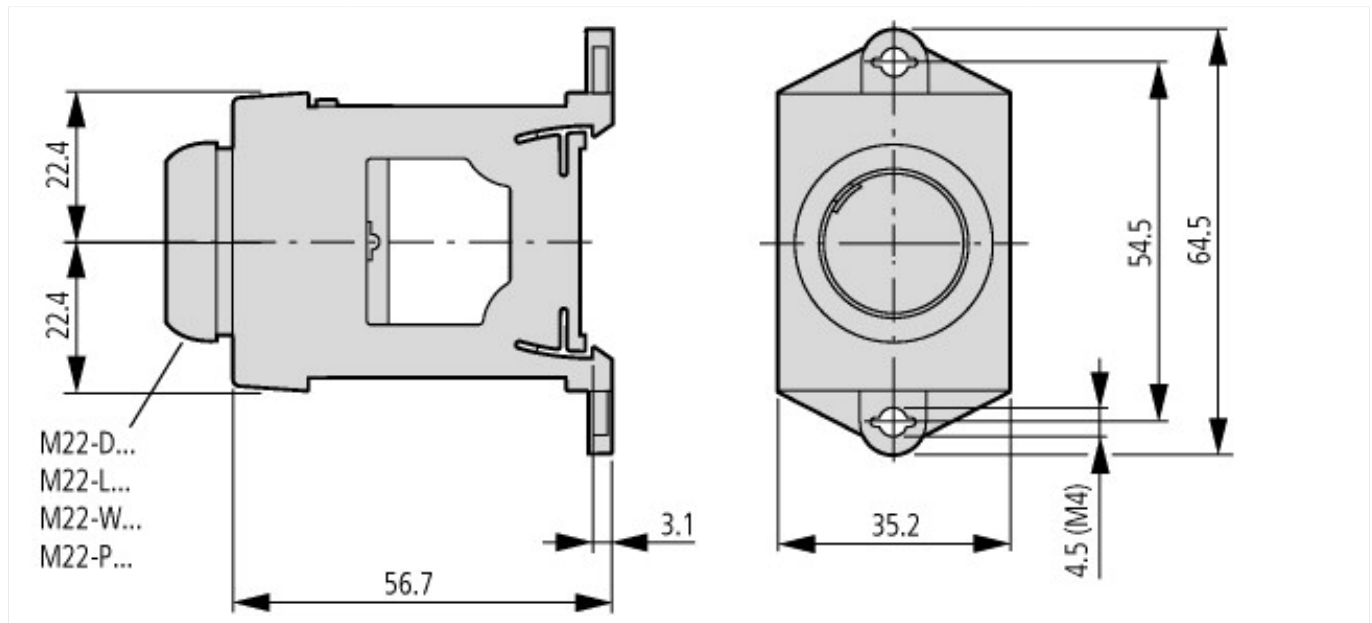
Approvals

Product Standards	IEC/EN 60947-5; UL 508; CSA-C22.2 No. 14-05; CSA-C22.2 No. 94-91; CE marking
UL File No.	E29184
UL Category Control No.	NKCR
CSA File No.	012528
CSA Class No.	3211-03
North America Certification	UL listed, CSA certified

Technical data ETIM 5.0

Low-voltage industrial components (EG000017) / Accessories for control circuit devices (EC002024)
 Electric engineering, automation, process control engineering / Low-voltage switch technology / Low-voltage switch technology (accessories) / Control circuit devices (accessories) (ecl@ss8-27-37-92-16 (AC0043007))
 Type of electrical accessory -
 Type of mechanical accessory -

Dimensions



Additional product information (links)

IL04716002Z (AWA1160-1745) RMQ-Titan System

IL04716002Z (AWA1160-1745) RMQ-Titan System

ftp://ftp.moeller.net/DOCUMENTATION/AWA_INSTRUCTIONS/IL04716002Z2013_08.pdf